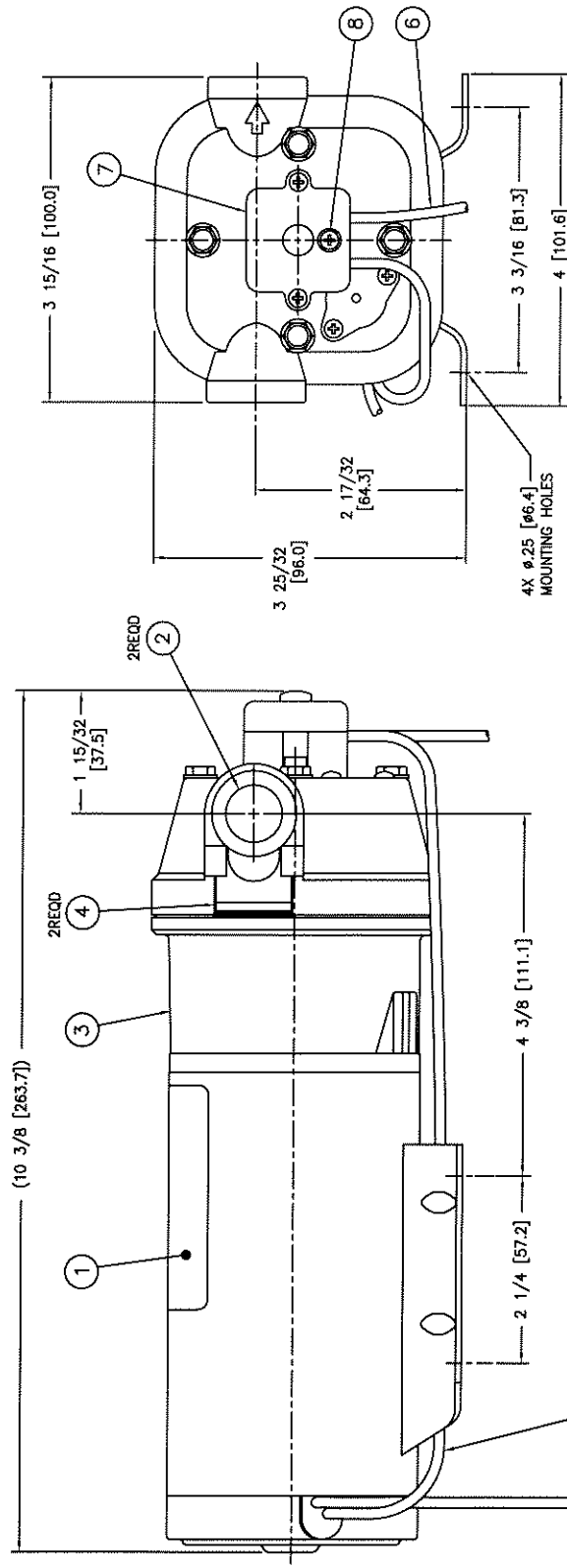


4 3 2 1

NOTES: UNLESS OTHERWISE SPECIFIED.

- ITEMS 5, 9, 10, 11, 12, 13, 14, 15 AND 16, NOT SHOWN ON DRAWING.
- DIMENSIONS IN [ ] ARE MILLIMETERS.
- PUMP SPECIFICATIONS:  
 MODEL: 31821-0494  
 VOLTAGE: 24 VDC  
 AMPERAGE: 3.3  
 FLOW: 2.1 GPM  
 PRESSURE: 40 PSI  
 MAX FLOW: 3.3 GPM

REV	DESCRIPTION	ECO NO	BY	DATE	CHK	DATE	APVD	DATE
A	RELEASED	405-068	HW	03/15/05	EO	03/18/05	EZ	03/18/05



ORANGE WIRE, 14 AWG  
 12±1/4 [304.8±6.4] LENGTH

BLACK WIRE, 14 AWG  
 12±1/4 [304.8±6.4] LENGTH

MATERIAL		APPROVALS		DATE	
UNLESS OTHERWISE SPECIFIED DIMENSIONS ARE IN INCHES DECIMALS .XXX±.005 FRACTIONS 1/32±.005 ANGULAR ±.1/2°		H. WU	ED	03/15/05	03/18/05
THIS DOCUMENT CONTAINS PROPRIETARY INFORMATION OF ITT INDUSTRIES. THIS DOCUMENT IS ISSUED IN STRICT CONFIDENCE AND SHALL NOT BE DISCLOSED TO A THIRD PARTY OR USED FOR MANUFACTURE, PRODUCTION OR REPRODUCTION WITHOUT THE EXPRESS WRITTEN PERMISSION OF ITT INDUSTRIES.		SWING #	PRINTED #	FILE #	DWG NO
				C	131821-0494
		DO NOT SCALE DRAWING		SCALE: 1/1	SHEET 1 OF 1

4 3 2 1