



TWIST 'N' LOCK™ MANUAL TOILET

THE MANUAL TOILET THAT GUARDS AGAINST FLOODING AND WASTE BACKFLOW

This intuitive, simple to use, Twist 'N' Lock™ handle works by locking the new cone-shaped piston into place which helps to prevent any backflow during a voyage.

FEATURES INCLUDE:

- Twist 'N' Lock™ action safety handle
- Easy swivel angled outlet for easy installation
- Crevice free for ease of cleaning
- Angled pump for easy pumping
- Powerful self priming pump



NEW!

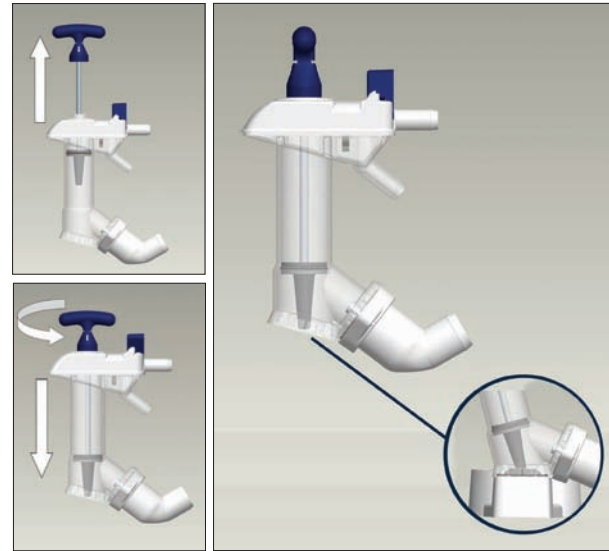
Twist 'N' Lock™ action safety handle provides a quick and easy lock that ensures a solid seal during your voyage.



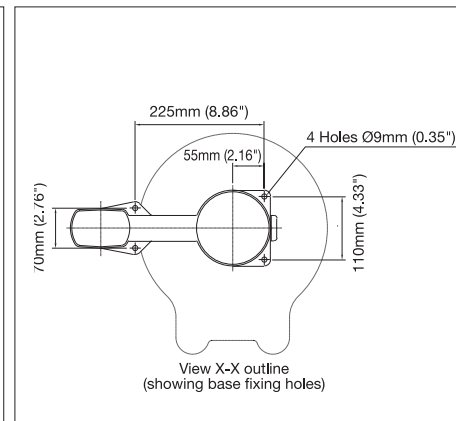
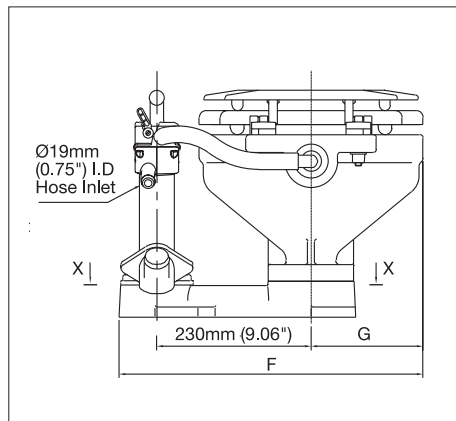
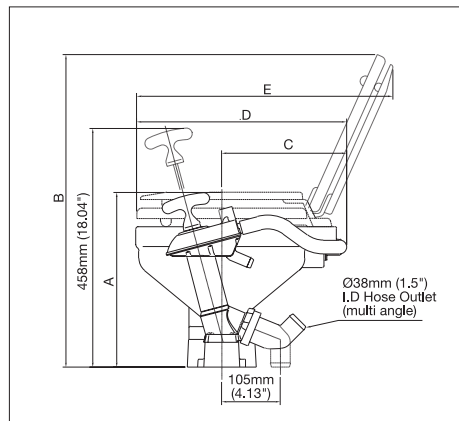
TWIST 'N' LOCK™ MANUAL TOILET

Unightly waste water creeping back past the valves into the bowl will now be a thing of the past!

The Jabsco Manual Toilet has just got better thanks to the introduction of the NEW Twist N Lock™ Feature. The intuitive, simple to use Twist N Lock handle works by locking the re-designed piston assembly into place, helping to prevent back flow of any waste water into the bowl. This is achieved by a bayonet style lock incorporated into the handle that is locked by putting slight pressure and twisted when in the lower position. This applied pressure pushes the redesigned plunger down onto the base valve gasket holding it firmly shut.



The Jabsco Twist N Lock manual toilet still includes all of the original features such as the rotating outlet nozzle, the angled powerful self priming pump, and the comfortable handle and easy to use flush control. This coupled with the easy to clean crevice free design still makes Jabsco the number one manual toilet manufacturer in the world.



MODEL NO	DESCRIPTION	NET WEIGHT	A	B	C	D	E	F	G	
29090-3000	MANUAL TOILET COMPACT BOWL	9.5kg (21lb)	335 (13.19)	615 (24.21)	247 (9.72)	425 (16.73)	485 (19.09)	450 (17.72)	165 (6.50)	mm (ins)
29120-3000	MANUAL TOILET REGULAR BOWL	10.9kg (24lb)	345 (13.58)	700 (27.56)	280 (11.02)	490 (19.29)	580 (22.83)	465 (18.31)	180 (7.09)	mm (ins)



www.jabsco.com

USA

Jabsco
Cape Ann Industrial Park
Gloucester, MA 01930
Tel: (978) 281-0440
Fax: (978) 283-2619

UK

Jabsco
Bingley Road, Hoddesdon
Hertfordshire EN11 0BU
Tel: +44 (0) 1992 450145
Fax: +44 (0) 1992 467132

CANADA

Fluid Products Canada
55 Royal Road
Guelph, Ontario N1H 1T1
Tel: (519) 821-1900
Fax: (519) 821-2569

GERMANY

Jabsco GmbH
Oststrasse 28
22844 Norderstedt
Tel: +49-40-53 53 73-0
Fax: +49-40-53 53 73-11

JAPAN

NHK Jabsco Company Ltd.
3-21-10, Shin-Yokohama
Kohoku-Ku, Yokohama, 222-0033
Tel: +81-045-475-8906
Fax: +81-045-477-1162

ITALY

Jabsco Marine Italia
Via Tommaseo, 6
20059 Vimercate, Milano
Tel: +39 039 685 2323
Fax: +39 039 666 307

Warranty: All products of the company are sold and all services of the company are offered subject to the company's warranty and terms and conditions of sale, copies of which will be furnished upon request. The information provided herein is for guidance only, it does not constitute a guarantee of the performance or specification of any individual product or component.