

29090-3000 Manual 'Twist n' Lock' toilet, compact bowl

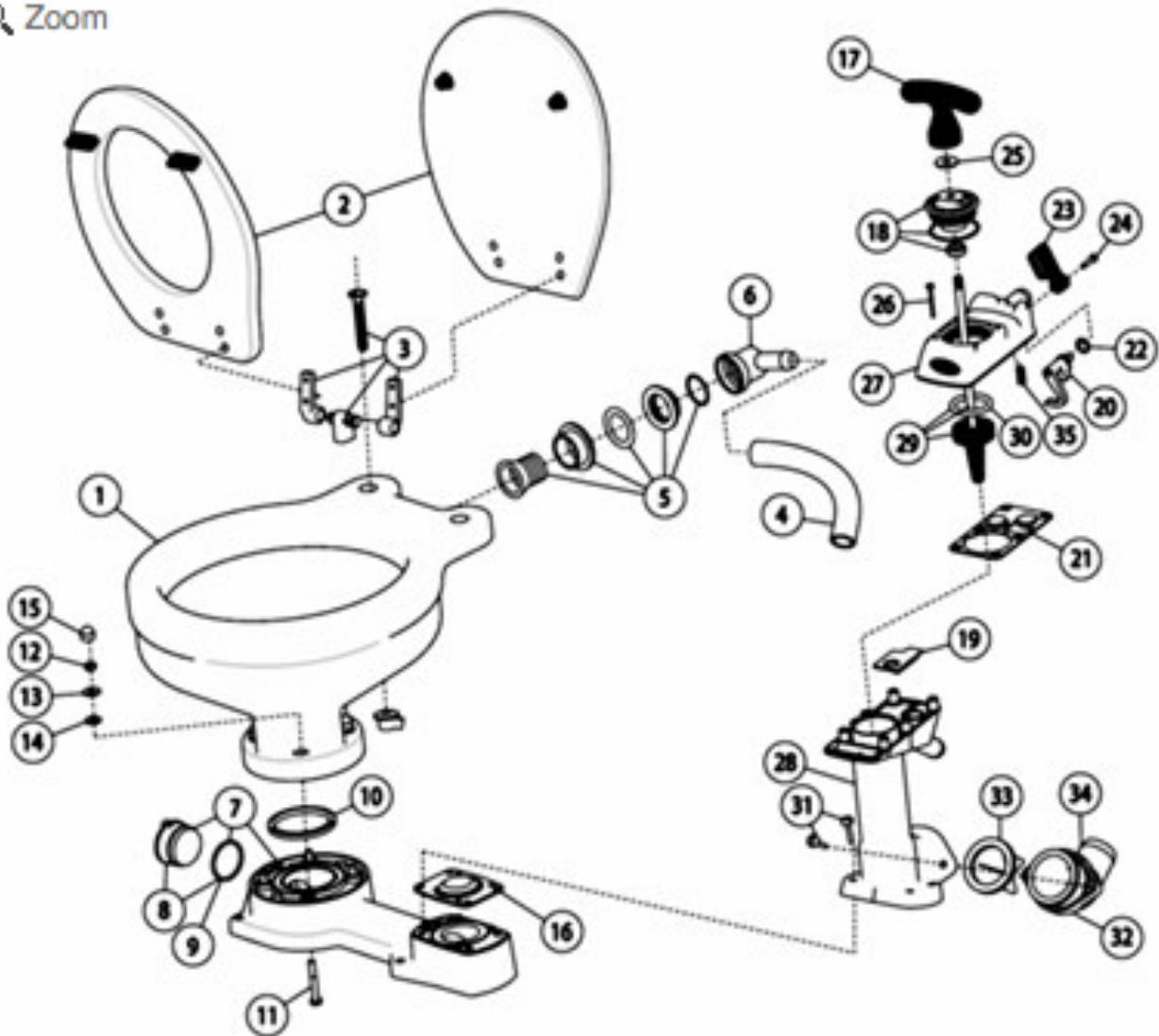
Maneta negra, 29090-0000 hasta el año 1997

Maneta gris, Ref 29090-2000 del año 1998 al 2007

Maneta azul marino oscuro 29090-3000, Twist loock, del 2007 hasta actualidad

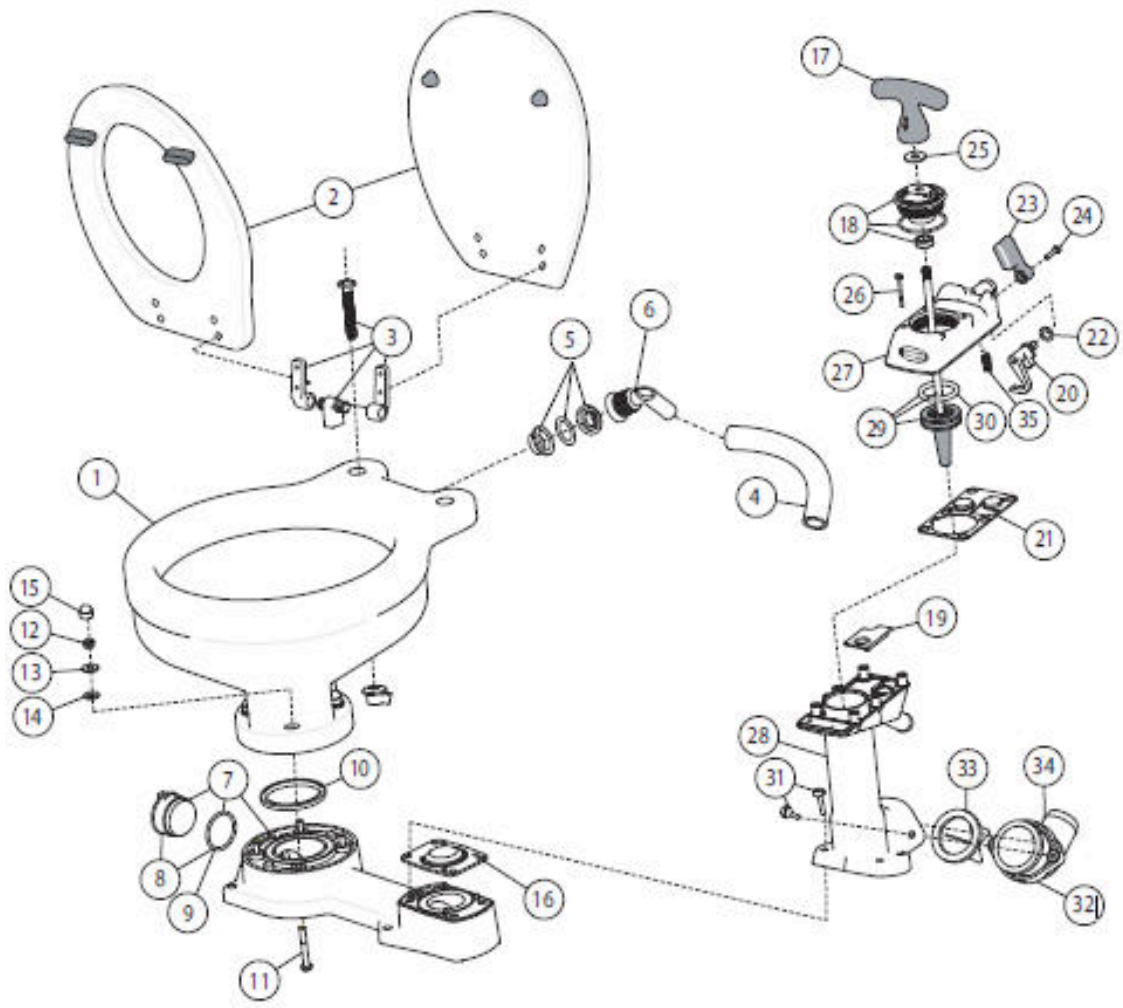
WC JABSCO RAFNI KAI

Zoom



KEY	DESCRIPCIÓN	PRECIO	PVP
A	Service Kit (includes seal & gaskets) For -3000	25,17 £	

	'Twist n' Lock' Series Toilets For 29090-3 & 29120-3 series toilets		
B	Twist n' Lock' Pump Assembly For 29090 & 29120 series toilets. Includes base valve gasket.	58,28 £	
C	VALVE COVER ASSY For 29090 & 29120 series toilets	25,00 £	
D	PUMP CYLINDER ASSY For 29090 & 29120 series toilets	23,52 £	
E	BOWL MOUNTING KIT	9,58 £	
1	TOILET BOWL - STANDARD SIZE	67,20 £	
2	SEAT AND LID - STANDARD SIZE Wooden - Includes Hinges	36,96 £	
3	HINGE SET - For wooden Seat/Lid Assy	6,41 £	
4	HOSE	4,16 £	
5 y 6	INTAKE SEAK AND ELBOW KIT	11,63 £	
7	BASE ASSEMBLY	31,82 £	
8	PLUG/"O"RING ASSY - Bayonet For base assembly post 2003	5,02 £	
9	Supplied with Plug & "O" Ring (key 8)		
10	Supplied in kit E		
11	Supplied in kit E		
12	Supplied in kit E		
13	Supplied in kit E		
14	Supplied in kit E		
15	Supplied in kit B & E		
16	BASE VALVE GASKET	6,24 £	
17			
18	SEAL ASSY FOR -3000 SERIES TOILETS For 29090-3 & 29120-3 series toilets	5,71 £	
19	Supplied in kit A, B & D		
20	Supplied in kit B & C		
21	TOP VALVE GASKET	5,34 £	
22	Supplied in kit A, B, C & D		
23	Supplied in kit B & C		
24	Supplied in kit A, B & C		
25	Supplied in kit A & B		
26	Supplied in kit A, B & C		
27	Supplied in kit B & C		
28	Supplied in kit B & D		
29	PISTON/ROD/"O"RING ASSEMBLY	14,22 £	
30	PISTON ROD O RING	1,45 £	
31	Supplied in kit A, B & D		
32	DISCHARGE FLANGE	4,39 £	
33	JOKER VALVE	5,23 £	
34	DISCHARGE ELBOW	6,27 £	
35	Supplied in kit B & C		



a